

Folding Handles

**Steel / Stainless Steel,
in Both End Positions Retained**

SPECIFICATION

Handle

- Steel, chrome plated **CR**
- Stainless steel AISI 303 **NI**
Matte, shot-blasted

Attachment part

- Plastic, Polyamide (PA)
- Operating temperature up to 100 °C
- Black, matte finish

Cover

- Plastic, Polyamide (PA)
- Operating temperature up to 100 °C
- Black-gray, matte finish



INFORMATION

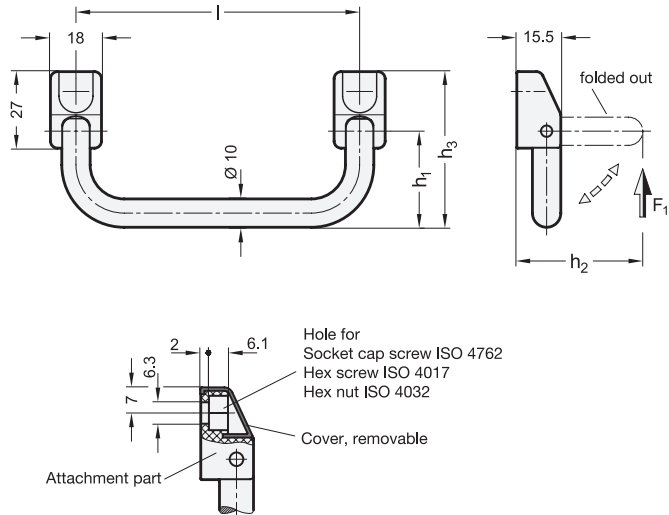
Folding handles GN 425.5 are used in places where the handle must not protrude or protrude only a short distance.

The handle is locked in place in the resting position by means of a springloaded (disk springs) thrust bolt.

The static load capacity value given in the table is an approximate value which, if exceeded, may result in permanent deformation or fracture of the plastic attachment part. The folding handle GN 425.2 (see page 466) may be used as an alternative.

TECHNICAL INFORMATION

- Load Rating Information (see page A35)
- Plastic Characteristics (see page A2)
- Stainless Steel Characteristics (see page A26)



GN 425.5-CR

Description	Length l	h_1	h_2	h_3	F_1 Static load in N folded out	
GN 425.5-100-CR	100	34	44.5	55	500	106
GN 425.5-120-CR	120	34	44.5	55	500	118
GN 425.5-180-CR	180	34	44.5	55	500	163

GN 425.5-NI

STAINLESS STEEL

Description	Length l	h_1	h_2	h_3	F_1 Static load in N folded out	
GN 425.5-100-NI	100	34	44.5	55	500	106
GN 425.5-120-NI	120	34	44.5	55	500	118
GN 425.5-180-NI	180	34	44.5	55	500	163

